

Maxer

GERMANY

LAPAROSCOPY



M LAPAROSCOPY
SYSTEM

maxerendoscopy.com



ISO Certificate

Quality management system as per
 ISO 13485 :2012 Medical Device Certification
 for development & Production & Endoscopic
 instrument & Equipments

CE Certificate

As per council directive 93/42/EEC
 Concerning medical devices



About Maxer

Maxer Medizintechnik GmbH has established itself as a symbol of creativity and latest technology and is an internationally qualified supplier of world class medical instruments and devices.

Specialized in the field of Minimal Invasive Surgery, Maxer manufactures wide range of equipments such as Laparoscopy, Hysteroscopy, Urology, Pediatric Surgery, Arthroscopy, Spine Endoscopy, ENT, etc.

Maxer has been one of the foremost companies to bring out HD technology in MIS field. In 2004, Maxer brought out first endoscopy camera with Matrix Metering. In 2008, Maxer brought out HD Telescopes. In 2009, Maxer launched first Networked Endoscopy Camera System. In 2010, Maxer introduced pathbreaking 16 Fr Resectoscope for Office Hysteroscopy. In 2011, Maxer launched LED Headlight with 200,000 Lux illumination, again a state of art in this segment. In 2012, Maxer launched LED Light sources to keep Maxer customers always at the cutting edge of technology. Maxer has also launched HD cameras with integrated Full HD recording. 3 CMOS HD cameras with 6 megapixel camera head will be launched soon.

Owners of Maxer have been working in Medical market for more than 20 years and have installed thousands of sets with high level of customer satisfaction. This background has given Maxer profound credibility in the field of endoscopy.

Due to vibrant co-operation with end users, Maxer is able to continuously improve upon the product range and also able to meet special modification demands. Maxer believes that growth and innovation go hand-in-hand.

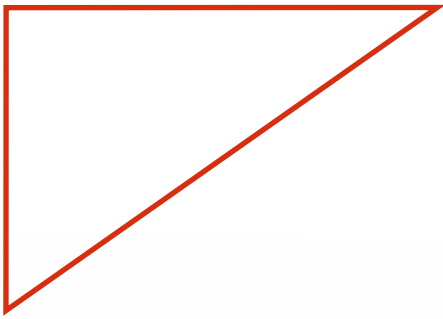


Maxer sells complete system with a focus on product quality and customers satisfaction. Maxer provides sales and service training to it's distributor in order to be successful.


Maxer believes that sound ethics with professionalism will only give success to the company. Maxer's growth and success are based on long term partnerships with customers, distributors. Maxer currently exports it's products to Europe, Asia, Africa.

Maxer is headed by Mr. Giovanni Miranda in the capacity as a Managing Director.

How to reach to Maxer - Maxer is located in Würmlingen (sales office) within the medical instruments manufacturing region around Tuttlingen in South Germany. Maxer also has registered office at Spaichingen.



ARTHROSCOPY



MARTHROSCOPY
SYSTEM
maxerendoscopy.com

PEDIATRIC




MPEDIATRIC
SYSTEM
maxerendoscopy.com

ENT



MENT
SYSTEM
maxerendoscopy.com

LAPAROSCOPY




MLAPAROSCOPY
SYSTEM
maxerendoscopy.com

UNITS




MUNITS
SYSTEM
maxerendoscopy.com

UROLOGY




MUROLOGY
SYSTEM
maxerendoscopy.com

SPINE ENDOSCOPY



MSPINE
SYSTEM
maxerendoscopy.com

HYSTEROSCOPY



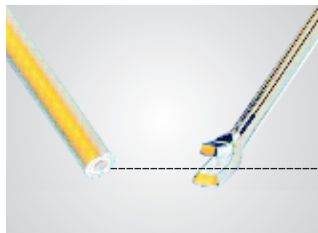
MHYSTEROSCOPY
SYSTEM
maxerendoscopy.com

Laparoscopes & Information _____	L - 4 to 7
Trocars & Accessories _____	L - 8 to 20
Veress (Insufflation) Needles _____	L - 21
Suction & Irrigation Cannulas _____	L - 22 to 24
Cholangiography Fixation Forceps _____	L - 25
Claw Forceps _____	L - 26
Clip Applying Forceps _____	L - 27 to 29
Endo Retractor & Stand holder for Liver Retractor _____	L - 30 to 31
Needle Holder _____	L - 32 to 33
Knot Guide _____	L - 34
Ring Applicator _____	L - 35
Uterus Manipulator _____	L - 36 to 38
Myoma Drill & Uterin Probe _____	L - 39
Suction & Irrigation Handles, Electrodes _____	L - 40
Monopolar Electrodes _____	L - 41 to 43
Monopolar Cable _____	L - 44
Cleaning Instruments _____	L - 45
Bipolar Electrodes _____	L - 46 to 50
Bipolar Cable _____	L - 51
SLIMLINE Bipolar _____	L - 52
SLIMLINE Bipolar Cables _____	L - 53
Bipolar Coagulation Electrodes Cable _____	L - 54 to 55
Bariatric Laparoscopy _____	L - 56

(For Laparoscopy hand instruments please refer our Laparoscopy II catalogue)

Laparoscopes from Maxer, Germany

Maxer has been setting innovative standards for many years. Maxer produces laser welded endoscopes which can withstand numerous autoclaving cycles. Its glass cone technology is also unique. Maxer endoscopes are known worldwide for third generation optics which give high resolution and brightness all over the image. New High Definition Laparoscopes are developed with better optical clarity and depth of focus.

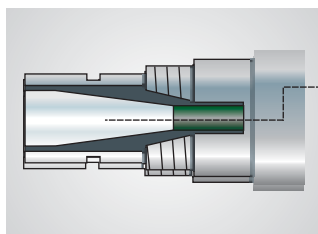


Ø 5.0 mm 0° 30° 45°
 Ø 5.5 mm 0° 30° 45°
 Ø 10.0 mm 0° 30° 45°

Sapphire tip -
For 3 times more scratch resistance,
safe with shaver blades



Laser welded joints -
No chance of leakage



Glass cone -
For 5 mm & smaller scopes
For longer life of fibers

Complete stainless steel -
Increased sturdiness



- High Definition Laparoscopes have better optics to give enhanced clarity & brightness
- High-quality, multi coated (anti-reflective) optical system
- Highly refractive glass for optimal color rendering even when the image is magnified
- Extremely precise centering of the optical and mechanical components for an image that is brilliant and high contrast even around the edges
- Triple tube design for higher stability with many types of endoscopes
- Nitrogen filled optical system to avoid interior condensation
- High resolution scopes, Sapphire cover glass on both ends,
- Glass cone to collect light from F. O. Cable, Autoclavable

Laparoscopes

Ø 5 mm & Ø 5.5 mm



HM version 5 mm

0°	30°	45°	Ø mm	Working Length
15.10.5100	15.10.5130	15.10.5145	5.5	300 mm

HM version 5.5 mm

0°	30°	45°	Ø mm	Working Length
15.10.5600	15.10.5630	15.10.5645	5.5	300 mm

HM HD version 5.5 mm

0°	30°	45°	Ø mm	Working Length
15.10.6600	15.10.6630	15.10.6645	5.5	300 mm

HD bariatric laparoscope version 5.5 mm

0°	30°	45°	Ø mm	Working Length
15.10.2500	15.10.2530	15.10.2545	5.5	425 mm

HM = High Magnification offers magnified image for the same working area

HD = High Definition scopes offer better optical clarity, brightness & depth of focus

Laparoscopes

Ø 10 mm



Standard Version 10 mm

0°	30°	45°	Ø mm	Working Length
15.10.1000	15.10.1030	15.10.1045	10.0	330 mm

HD Version 10 mm

0°	30°	45°	Ø mm	Working Length
15.10.1100	15.10.1130	15.10.1145	10.0	330 mm

HD⁺ Laparoscopes



These are newly developed telescopes which provide outstanding sharpness at periphery as well as at center of the image. These optics are designed to match latest range of Full HD Cameras from Maxer.

HD⁺ Version 10 mm

0°	30°	45°	Ø mm	Working Length
15.10.1101	15.10.1131	15.10.1146	10.0	330 mm

Bariatric Laparoscope Version 10 mm

0°	30°	45°	Ø mm	Working Length
15.10.2100	15.10.2130	15.10.2145	10.0	450 mm

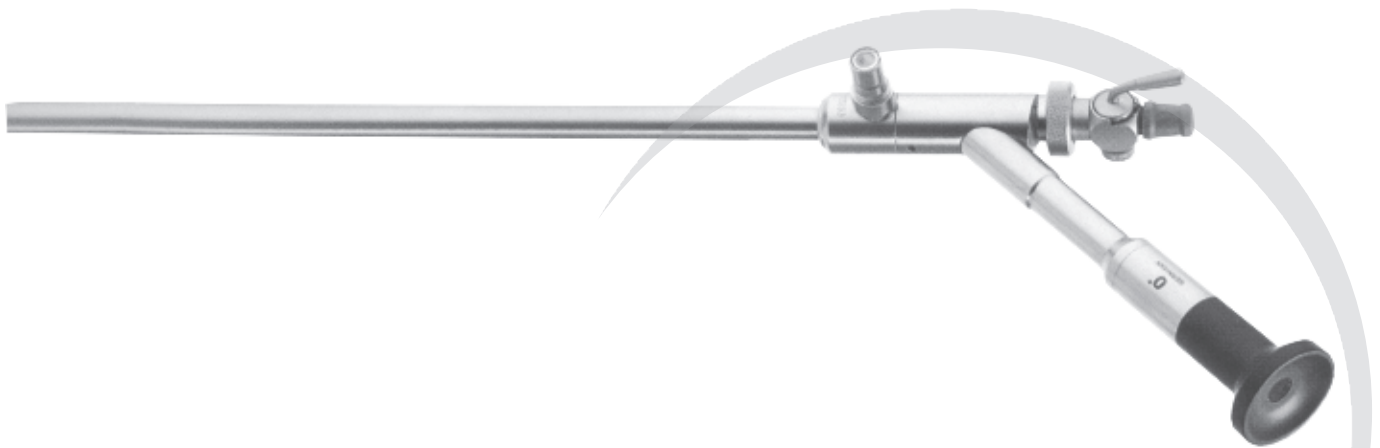
Laparoscopes

Ø 10 mm & Ø 11 mm



Standard Version

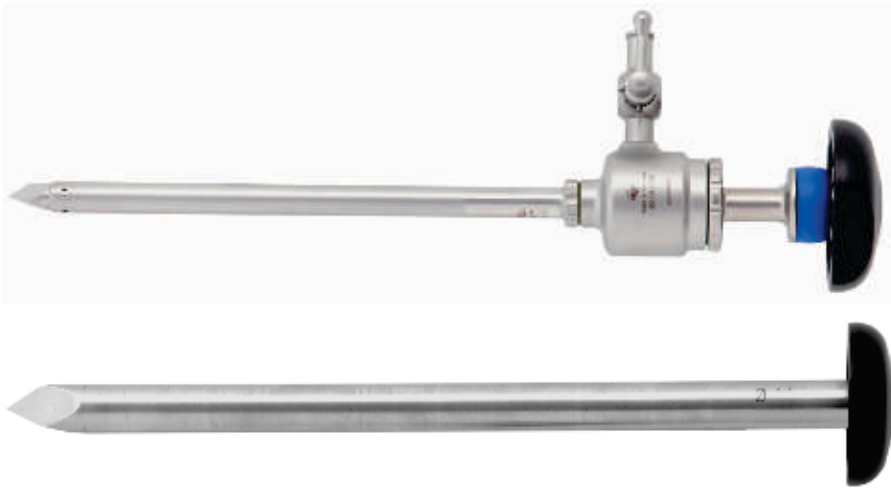
90° angled	Ø mm	Working Channel	Working Length
15.10.9000	10.0	Ø 5.1 mm	270 mm
15.10.9011	11.0	Ø 6.1 mm	270 mm



Standard Version

45° angled	Ø mm	Working Channel	Working Length
15.10.4500	10.0	Ø 5.1 mm	270 mm
15.10.4511	11.0	Ø 6.1 mm	270 mm

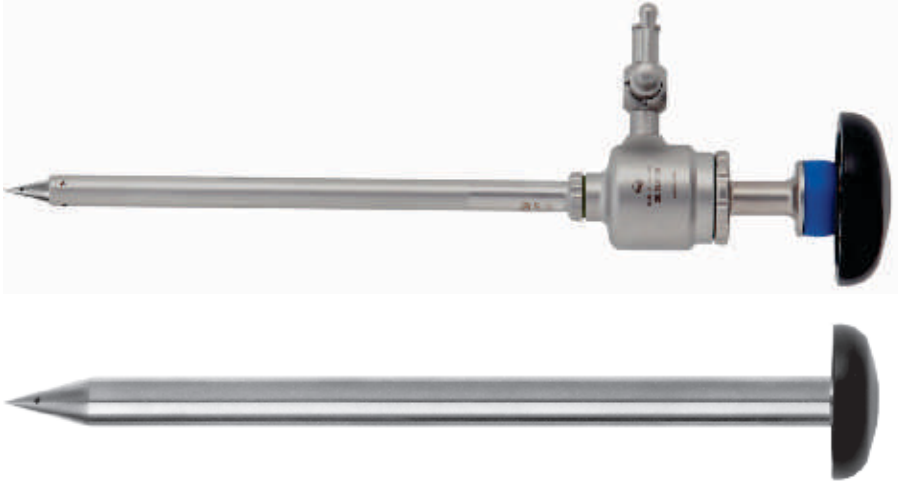
Trocars and accessories



Automatic trocar sleeve with stop-cock for insufflation & trocar mandrin with pyramidal tip

Sleeve with trocar, compl	Trocar sleeve only	Trocar only	Ø mm	Working Length
20.13.1035	20.13.0035	20.12.1035	3.5	70 mm
20.13.1050	20.13.0050	20.12.1050	5.0	92 mm
20.13.1055	20.13.0055	20.12.1055	5.5	95 mm
20.13.1060	20.13.0060	20.12.1060	6.0	95 mm
20.13.1070	20.13.0070	20.12.1070	7.0	95 mm
20.13.1080	20.13.0080	20.12.1080	8.0	105 mm
20.13.1100	20.13.0100	20.12.1100	10.0	97 mm
20.13.1110	20.13.0110	20.12.1110	11.0	101 mm
20.13.1125	20.13.0125	20.12.1125	12.5	98 mm

Trocars and accessories



Automatic Trocar sleeve with stop cock for insufflation and trocar mandrin with conical tip

Sleeve with trocar compl	Trocar sleeve only	Trocar only	Ø mm	Working Length
20.13.2035	20.13.0035	20.12.2035	3.5	70 mm
20.13.2050	20.13.0050	20.12.2050	5.0	92 mm
20.13.2055	20.13.0055	20.12.2055	5.5	95 mm
20.13.2060	20.13.0060	20.12.2060	6.0	95 mm
20.13.2070	20.13.0070	20.12.2070	7.0	95 mm
20.13.2080	20.13.0080	20.12.2080	8.0	105 mm
20.13.2100	20.13.0100	20.12.2100	10.0	97 mm
20.13.2110	20.13.0110	20.12.2110	11.0	101 mm
20.13.2125	20.13.0125	20.12.2125	12.5	98 mm

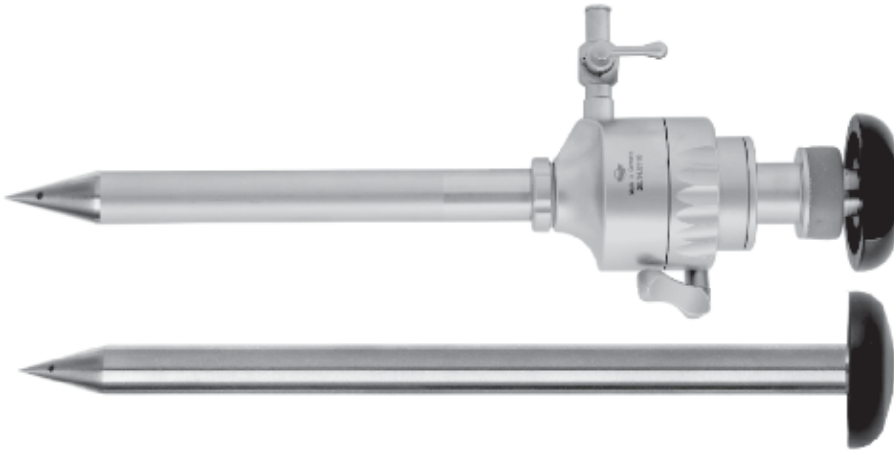
Trocars and accessories



Multiple function trocar sleeve with manual opening lever, stop cock for insufflation & trocar mandrin with pyramidal tip

Sleeve with trocar compl	Trocar sleeve only	Trocar only	Ø mm	Working Length
20.14.1035	20.14.0035	20.12.1035	3.5	70 mm
20.14.1050	20.14.0050	20.12.1050	5.0	92 mm
20.14.1055	20.14.0055	20.12.1055	5.5	95 mm
20.14.1060	20.14.0060	20.12.1060	6.0	95 mm
20.14.1070	20.14.0070	20.12.1070	7.0	95 mm
20.14.1080	20.14.0080	20.12.1080	8.0	105 mm
20.14.1100	20.14.0100	20.12.1100	10.0	97 mm
20.14.1110	20.14.0110	20.12.1110	11.0	101 mm
20.14.1125	20.14.0125	20.12.1125	12.5	98 mm
20.14.1130	20.14.0130	20.12.1130	13.0	97 mm
20.14.1150	20.14.0150	20.12.1150	15.0	95 mm
20.14.1200	20.14.0200	20.12.1200	20.0	95 mm

Trocars and accessories

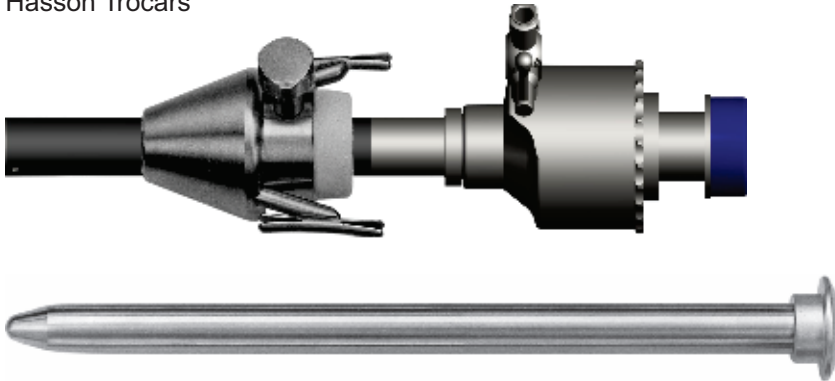


Multiple function Trocar sleeve with manual opening lever, stop cock for insufflation and trocar mandrin with conical tip

Sleeve with trocar compl	Trocar sleeve only	Trocar only	Ø mm	Working Length
20.14.2035	20.14.0035	20.12.2035	3.5	70 mm
20.14.2050	20.14.0050	20.12.2050	5.0	92 mm
20.14.2055	20.14.0055	20.12.2055	5.5	95 mm
20.14.2060	20.14.0060	20.12.2060	6.0	95 mm
20.14.2070	20.14.0070	20.12.2070	7.0	95 mm
20.14.2080	20.14.0080	20.12.2080	8.0	105 mm
20.14.2100	20.14.0100	20.12.2100	10.0	97 mm
20.14.2110	20.14.0110	20.12.2110	11.0	101 mm
20.14.2125	20.14.0125	20.12.2125	12.5	98 mm
20.14.2130	20.14.0130	20.12.2130	13.0	97 mm
20.14.2150	20.14.0150	20.12.2150	15.0	95 mm
20.14.2200	20.14.0200	20.12.2200	20.0	95 mm

Trocars and accessories

Hasson Trocars



Hasson automatic trocar with suture holder fixed at cone, stop-cock for insufflation & trocar mandrin with blunt tip

HASSON trocar compl.	Sleeve with cone, only	Trocar blunt, only	Ø mm
20.15.3055	20.15.0055	20.12.3055	5.5
20.15.3110	20.15.0110	20.12.3110	11.0
20.15.3112	20.15.0125	20.12.3125	12.5

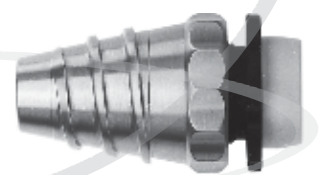
Fixable Cone only, for HASSON trocar, with suture holder, fit for all trocar sleeves

Art No.	Ø mm
20.15.4035	3.5
20.15.4055	5.5
20.15.4010	10.0
20.15.4011	11.0
20.15.4125	12.5



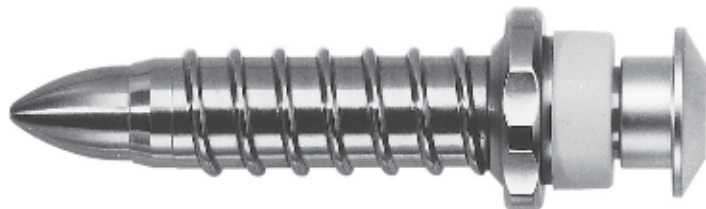
Fixable Cone with thread only, for HASSON trocar, fit for all trocar sleeves, without suture holder

20.15.5110	11.0
-------------------	------



Trocars and accessories

Thoracic Trocar



Rigid Thoracic Trocars

Sleeve with trocar compl	Trocar sleeve only	Trocar only	Ø mm	Working Length
20.16.5060	20.16.0060	20.12.5060	6.0	50 mm
20.16.5110	20.16.0110	20.12.5110	11.0	50 mm
20.16.5130	20.16.0130	20.12.5130	13.0	50 mm



Flexible thoracic trocars

Sleeve with trocar compl	Trocar sleeve only	Trocar only	Ø mm	Working Length
20.16.6060	20.16.7060	20.12.6060	6.0	100 mm
20.16.6061	20.16.7061	20.12.6061	6.0	70 mm
20.16.6110	20.16.7110	20.12.6110	11.0	100 mm
20.16.6111	20.16.7111	20.12.6111	11.0	70 mm

Flexible plastic tubes box of 5 each

Art No.	for trocar sleeve Ø
20.16.8061	6.0 / 100
20.16.8062	6.0 / 70
20.16.8110	11.0 / 100
20.16.8111	11.0 / 70

Trocars and accessories



Security trocar, pyramidal tip (detachable) useable with all trocar sleeves

Art No.	Ø mm	Working Length
20.12.8050	5.0	157 mm
20.12.8055	5.5	160 mm
20.12.8080	8.0	171 mm
20.12.8100	10.0	167 mm
20.12.8110	11.0	171 mm
20.12.8125	12.5	171 mm



Security trocar, oblique (detachable) useable with all trocar sleeves

20.12.9050	5.0	157 mm
20.12.9055	5.5	160 mm
20.12.9080	8.0	171 mm
20.12.9100	10.0	167 mm
20.12.9110	11.0	171 mm
20.12.9125	12.5	171 mm

Trocars and accessories



Security trocar, oblique useable with all trocar sleeves



Art No.	Ø mm	Working Length
20.17.9050	5.0	157 mm
20.17.9055	5.5	160 mm
20.17.9080	8.0	171 mm
20.17.9100	10.0	167 mm
20.17.9110	11.0	171 mm
20.17.9125	12.5	171 mm



Security Trocar, automatic locking, obturator tip "Knife Design"

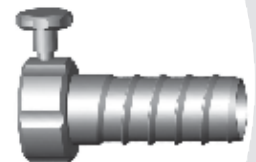
Article No.	Ø mm	Working Length
20.10.4055	5.5	160 mm
20.10.4110	11	171 mm
20.10.4125	12.5	171 mm

Trocar tubes, interchangeable, for automatic trocars

		For Ø mm trocar sleeve	Working Length
20.13.4035	-	3.5 mm	70 mm
20.13.4050	20.13.5050	5.0 mm	92 mm
20.13.4055	20.13.5055	5.5 mm	95 mm
20.13.4060	20.13.5060	6.0 mm	95 mm
20.13.4080	20.13.5080	8.0 mm	105 mm
20.13.4100	20.13.5100	10.0 mm	97 mm
20.13.4110	20.13.5110	11.0 mm	101 mm
20.13.4125	20.13.5125	12.5 mm	98 mm
20.13.4130	-	13.0 mm	97 mm
20.13.4150	-	15.0 mm	95 mm
20.13.4200	-	20.0 mm	95 mm

Trocar stop for trocar sleeve

Length of Thread 35 mm	For Ø mm Trocar Sleeve
20.14.3505	5.0 mm
20.14.3555	5.5 mm
20.14.3510	10.0 mm
20.14.3511	11.0 mm
20.14.3512	12.5 mm



Trocars and accessories



Reducer sleeve

Art No.	Trocar sleeve Ø mm	Instrument Ø mm	Working Length
20.18.0504	5.0	4.0	175 mm
20.18.1055	10.0	5.5	190 mm
20.18.1155	11.0	5.5	190 mm
20.18.1255	12.5	5.5	190 mm
20.18.1210	12.5	10.0	190 mm
20.18.1555	15.0	5.5	190 mm
20.18.1510	15.0	10.0	190 mm
20.18.2055	20.0	5.5	190 mm
20.18.2010	20.0	10.0	190 mm
20.18.2015	20.0	15.0	190 mm

Trocars and accessories

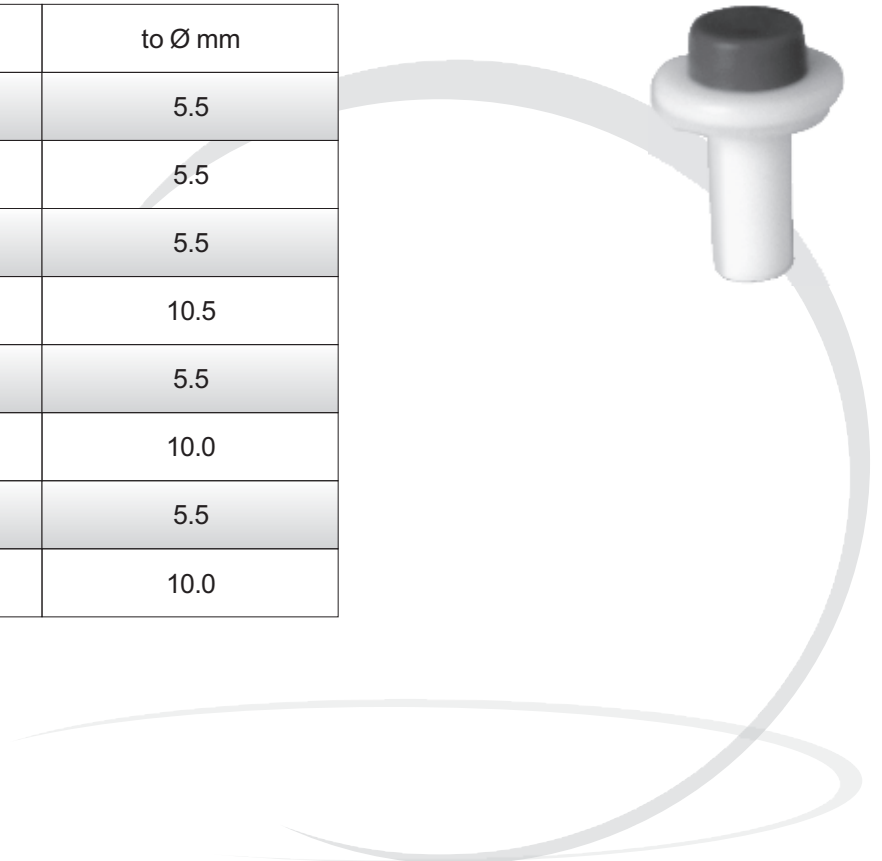
Reducer, removable, with Holder

Art No.	from Ø mm	to Ø mm
20.19.0855	8.0	5.5
20.19.1055	10.0	5.5
20.19.1155	11.0	5.5
20.19.1255	12.5	5.5
20.19.1210	12.5	10.0



Reducer, removable

Art No.	from Ø mm	to Ø mm
20.20.1055	10.0	5.5
20.20.1155	11.0	5.5
20.20.1255	12.5	5.5
20.20.1210	12.5	10.5
20.20.1555	15.0	5.5
20.20.1510	15.0	10.0
20.20.2055	20.0	5.5
20.20.2010	20.0	10.0



Trocars and accessories



Dilation - Set, consisting of dilator sleeve and dilator

20.42.0510	Ø 5.0 mm	Ø 10.0 mm
20.42.0511	Ø 5.0 mm	Ø 11.0 mm
20.42.1015	Ø 10.0 mm	Ø 15.0 mm
20.42.0515	Ø 5.0 mm	Ø 15.0 mm
20.42.0520	Ø 5.0 mm	Ø 20.0 mm
20.42.1020	Ø 10.0 mm	Ø 20.0 mm



Gall Stone collector, Ø 20 mm

20.42.2055	For instruments Ø 5.5 mm
20.42.2010	For instruments Ø 10 mm



20.42.3000	Retractor for gall bladder extraction with 3 blades, jaw length 60 mm
-------------------	---

Trocars and accessories



Outer



Inner

Sealing Caps / Outer & Inner Washers for Trocars

20.90.1001	Outer washer for Ø 10 mm & 11 mm trocar
20.90.1002	Inner washer for Ø 10 mm & 11 mm trocar
20.90.1003	Outer washer for Ø 5 mm & 6 mm trocar
20.90.1004	Inner washer for Ø 5 mm & 6 mm trocar
20.90.1005	Outer washer for Ø 7 mm & 8 mm trocar
20.90.1006	Inner washer for Ø 7 mm & 8 mm trocar
20.90.1007	Outer washer for Ø 12.5 mm & 13 mm trocar
20.90.1008	Inner washer for Ø 12.5 mm & 13 mm trocar
20.90.1009	Outer washer for Ø 15 mm trocar
20.90.1010	Inner washer for Ø 15 mm trocar

O-Rings

20.90.4001	For trocar Ø 5 mm, 5.5 mm & 6 mm
20.90.4002	For trocar Ø 7 mm & 8 mm
20.90.4003	For trocar Ø 10 mm & 11 mm
20.90.4004	For trocar Ø 12mm 12.5 mm & 13 mm
20.90.4005	For trocar Ø 15 mm

Veress (Insufflation) Needles

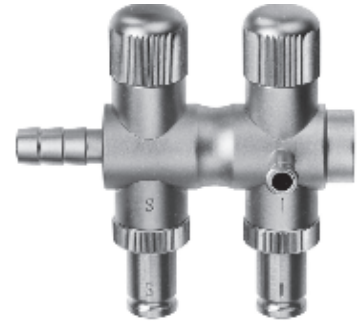


20.10.1055	Veress needle Ø 2.0 mm, WL 55 mm
20.10.1070	Veress needle Ø 2.0 mm, WL 70 mm
20.10.1080	Veress needle Ø 2.0 mm, WL 80 mm
20.10.1100	Veress needle Ø 2.0 mm, WL 100 mm
20.10.1120	Veress needle Ø 2.0 mm, WL 120 mm
20.10.1130	Veress needle Ø 2.0 mm, WL 130 mm
20.10.1140	Veress needle Ø 2.0 mm, WL 140 mm
20.10.1150	Veress needle Ø 2.0 mm, WL 150 mm
20.10.1180	Veress needle Ø 2.0 mm, WL 180 mm
20.10.1200	Veress needle Ø 2.0 mm, WL 200 mm



20.10.2100	Veress needle high flow, Ø 2.7 mm, WL 100 mm
20.10.2120	Veress needle high flow, Ø 2.7 mm, WL 120 mm
20.10.2150	Veress needle high flow, Ø 2.7 mm, WL 150 mm
20.10.2170	Veress needle high flow, Ø 2.7 mm, WL 170 mm

Suction & Irrigation Cannulas



20.21.2001 Suction & Irrigation Handle Ø 5 mm, with sliding valves



20.21.2005 Tube, interchangeable, Ø 5 mm



20.21.2010 Tube, interchangeable, Ø 10 mm

20.21.2000 Suction & Irrigation set (handle 20.21.2001 & interchangeable tubes Ø 5 mm 20.21.2005 & Ø 10 mm 20.21.2010)



20.21.3102 Suction & Irrigation tube Ø 5 mm with two trumpet valves graduated, channel for laser and square handle, WL 34 cm



20.21.3103 Laser guide with Luer-Lock connection, WL 39 cm, for handle 20.21.3102

Suction & Irrigation Cannulas

20.21.3001

Handle with host join and two trumpet valves

20.21.3002

Handle with LL and two trumpet valves

20.21.3003

Handle with sliding valves



20.21.3330

Suction tube Ø 5 mm with 4 holes, Standard, L 330 mm

20.21.3331

Suction tube Ø 5 mm with 16 holes, blunt, L 327.5 mm

20.21.3332

Suction tube Ø 10 mm with 32 holes, blunt, L 330 mm

Suction & Irrigation Cannulas



20.21.3333

Suction tube Ø 5 mm with 48 holes, L 330 mm



20.21.3334

Suction tube Ø 5 mm with 48 holes, blunt, L 500 mm



20.21.3335

Aspiration needle Ø 5 mm, L 330 mm



20.21.3336

Aqua dissector cannula Ø 5 mm, L 330 mm

SET of Suction & Irrigation tubes, consisting of : 7 changeable tubes and 1 handle

20.21.4001

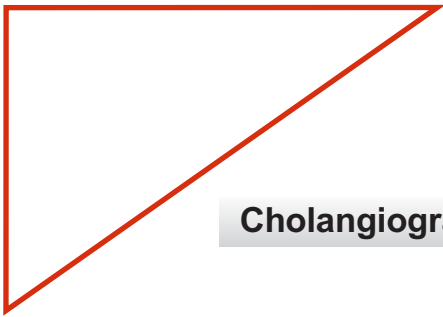
Set with handle **20.21.3001**

20.21.4002

Set with handle **20.21.3002**

20.21.4003

Set with handle **20.21.3003**



Cholangiography Fixation Forceps



20.26.0533	Cholangiography fixation forceps Ø 5 mm, with inside ratchet, WL 33 cm
-------------------	--

20.26.0528	Cholangiography fixation forceps Ø 5 mm, with inside ratchet, WL 28 cm
-------------------	--



20.26.1533	Cholangiography Fixation Claw Forceps Ø 5 mm, handle with retaining spring, WL 33 cm
-------------------	--

Claw Forceps

Scissors, Spoons with Rinsing Channel



20.30.1033

Claw grasping forceps Ø 10 mm, handle with retaining spring, WL 33 cm

20.30.2033

Scissors one blade toothed, Ø 10, handle without retaining spring, WL 33 cm

20.30.3033

Spoon forceps Ø 10 mm, handle with retaining spring, WL 33 cm

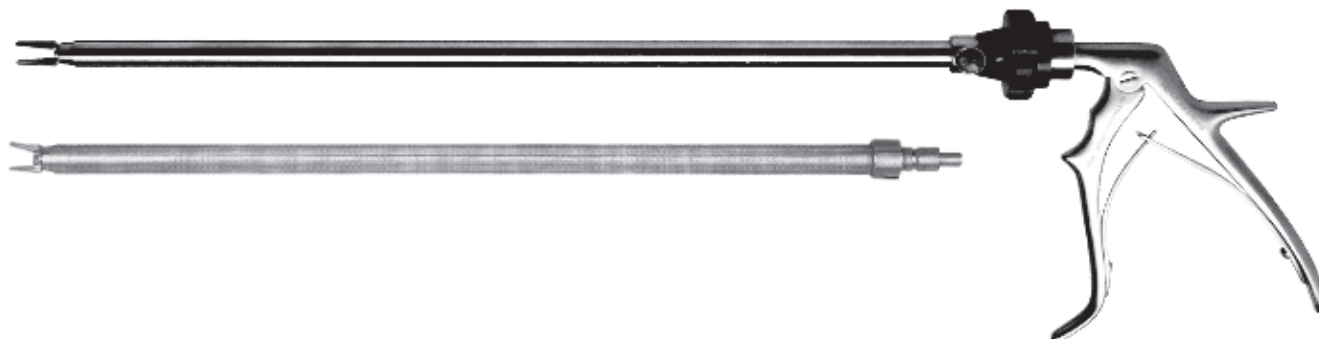
Clip Applying Forceps



Clip applying forceps Ø 10 mm, WL 33 cm, 360° rotatable, with LL rinsing channel, for TITANIUM Clips

Art No.	For Clips - Type
20.38.1031	Ethicon - medium
20.38.1032	Ehticon - medium - large
20.38.1033	Ethicon - large
20.38.1034	Pilling/Weck - medium
20.38.1035	Pilling/Weck - medium-large
20.38.1036	SLS - medium
20.38.1037	SLS - medium - large
20.38.1038	SLS - large
20.38.1039	HORIZON - medium
20.38.1040	HORIZON - medium-large
20.38.1041	HORIZON - large

Clip Applying Forceps



Clip applying forcep Ø 10 mm, WL 33 cm, detachable, 360° rotatable, for TITANIUM Clips

Forceps complete Art No.	Insert only Art No.	For Clips - Type
20.38.2031	20.38.3031	Ethicon - medium
20.38.2032	20.38.3032	Ehticon - medium-large
20.38.2033	20.38.3033	Ethicon - large
20.38.2034	20.38.3034	Pilling/Weck - medium
20.38.2035	20.38.3035	Pilling/ Weck - medium - large
20.38.2036	20.38.3036	SLS - medium
20.38.2037	20.38.3037	SLS - medium - large
20.38.2038	20.38.3038	SLS - large
20.38.2039	20.38.3039	HORIZON - medium
20.38.2040	20.38.3040	HORIZON - medium
20.38.2041	20.38.3041	HORIZON - large

Clip Applying Forceps

Ø 5 mm Rotatable



Clip applying forceps Ø 5 mm, WL 25 cm and 33 cm, detachable and 360° rotatable for TITANIUM Clips

Forceps, complete 25 cm	Forceps, complete 33 cm	For Clips - Type
20.38.4031	20.38.5031	Ethicon - small
20.38.4032	20.38.5032	Ethicon - medium
20.38.4033	20.38.5033	Pilling/Weck - small
20.38.4034	20.38.5034	Pilling/Weck - medium
20.38.4035	20.38.5035	SLS - small
20.38.4036	20.38.5036	SLS - small - medium
20.38.4037	20.38.5037	SLS - medium
20.38.4038	20.38.5038	HORIZON - small
20.38.4039	20.38.5039	HORIZON - medium

Endo Retractors

with irrigation device



20.40.5134

Endo Retractor 3 fingers Ø 5 mm, rigid, WL 34 cm



20.40.5138

Endo Retractor 5 fingers Ø 10 mm, rigid, WL 38 cm



20.40.5234

Endo Retractor 3 fingers Ø 5 mm, angleable, WL 34 cm



20.40.5238

Endo Retractor 5 fingers Ø 10 mm, angleable, WL 38 cm

Endo Retractors



20.40.5334

Flexible Liver Retractor for Ø 5 mm trocar

Can be folded using outside knob.

The retractor offers advantage of superior strength and the rounded edges cause minimum damage to the Liver



12.03.0010

Stand holder for Liver Retractor

12.03.0011

Table clamp

Needle Holders

2 branch handle & LL rinsing channel



20.35.6033

Endo Needle holder Ø 5.0 mm, straight, WL 33 cm



20.35.6133

Endo Needle holder Ø 5.0 mm, straight plain, WL 33 cm



20.35.6233

Endo Needle holder Ø 5.0 mm, straight nose, WL 33 cm



20.35.6333

Endo Needle holder Ø 5.0 mm, right curved, WL 33 cm



20.35.6433

Endo Needle holder Ø 5.0 mm, left curved, WL 33 cm



Needle Holders

2 branch handle, LL rinsing channel



20.35.6666

Endo Needle Holder tungsten carbide Ø 5 mm, straight, with overload protection, L 33 cm



20.35.6833

Endo Needle Holder tungsten carbide Ø 5 mm, conical straight, light weight, L 33 cm

20.35.6933

Endo Needle Holder tungsten carbide Ø 5 mm, right curved, light weight, L 33 cm

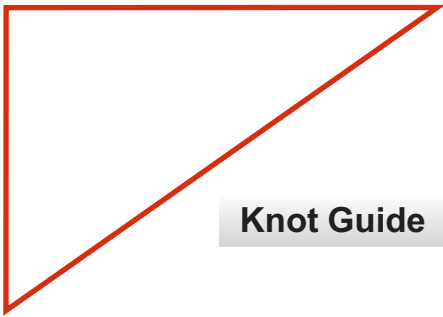
20.35.7033

Endo Needle Holder tungsten carbide Ø 5 mm, left curved, light weight, L 33 cm



20.28.3400

Debaquey grasping forcep double action, tip 2.8 mm, Ø 5 mm, pencil handle, metallic tubing, luer lock connection, WL 34 cm



Knot Guide



20.37.5133	Knot guide with slot Ø 4.5 mm, WL 33 cm
-------------------	---



20.37.5203	Knot guide with eye Ø 4 mm, open, WL 33 cm
20.37.5205	Knot guide with eye Ø 4 mm, open, WL 45 cm

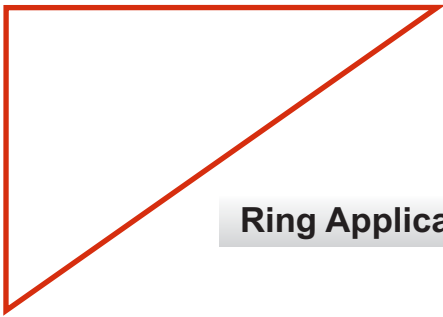


20.37.6203	Knot guide with eye Ø 4 mm, closed, WL 33 cm
20.37.6205	Knot guide with eye Ø 4 mm, closed, WL 45 cm



20.37.7203	Knot guide with eye Ø 3 mm, curved open, WL 33 cm
20.37.7205	Knot guide with eye Ø 5 mm, curved open, WL 33 cm





Ring Applicators



20.75.0601	Ring applicator for tube sterilisation, outer Ø 6 mm for single puncture for use with operating laparoscopes with 6 mm instrument channels
-------------------	--

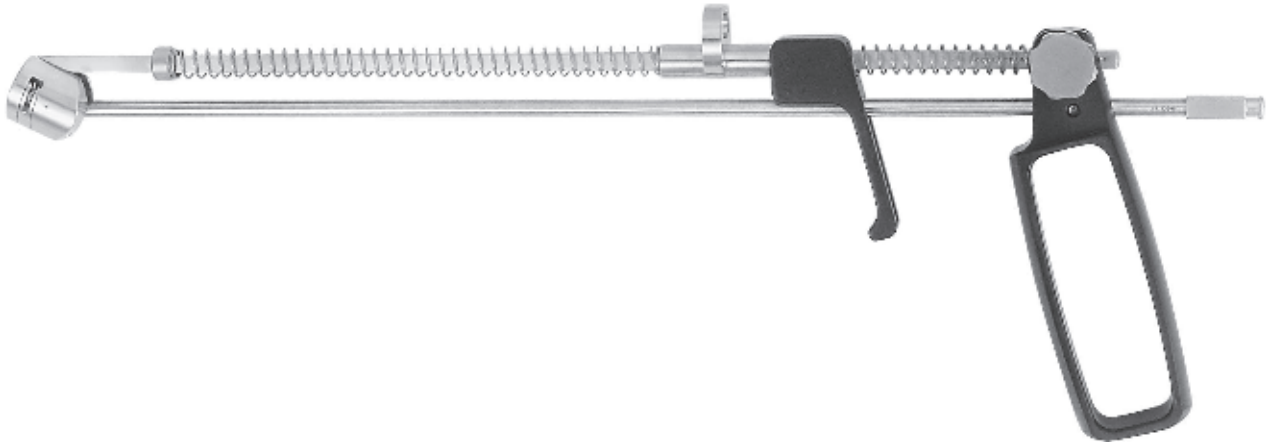








20.75.0602	Ring applicator for tube sterilisation, outer Ø 6 mm for second puncture for use with trocar sleeves 7.0 mm
-------------------	---



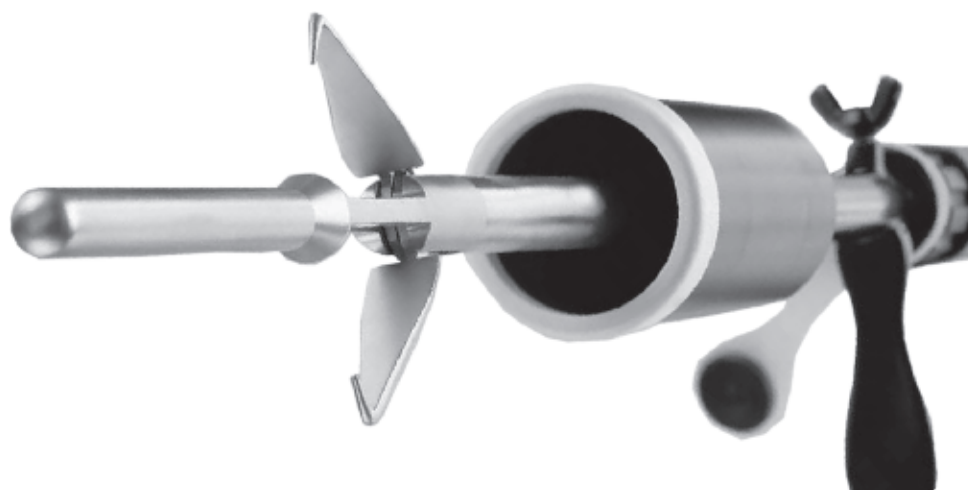
20.35.6043	Port Closure Forceps
-------------------	----------------------

Uterus Manipulator



20.70.0040	Uterus Manipulator only	
20.70.1040	Adaptor Ø 8 mm x 80 mm	
20.70.2040	Adaptor Ø 10 mm x 100 mm	
20.70.3040	Adaptor Ø 3 mm x 45 mm	
20.70.4040	Adaptor Ø 3 mm x 55 mm	
20.70.5040	Adaptor Cone Short	
20.70.6040	Adaptor Cone Long	
20.70.0040S	Uterus Manipulator complete set (Manipulator + 6 adaptors)	

Uterus Manipulator



The Uterus Manipulator was developed for the manipulation and presentation of the uterus during a complete laparoscopic hysterectomy, as well as protecting the bladder, ureter, and rectum during the electrosurgical resection of the uterus. The reusable instrument is fully modular and can fit all anatomical conditions as vaginal delineating tubes and intrauterine elements of various sizes are available. Once the instrument is in place the uterus can be moved in all directions, thus providing optimal exposure of all anterior, posterior and lateral aspects of the uterus.

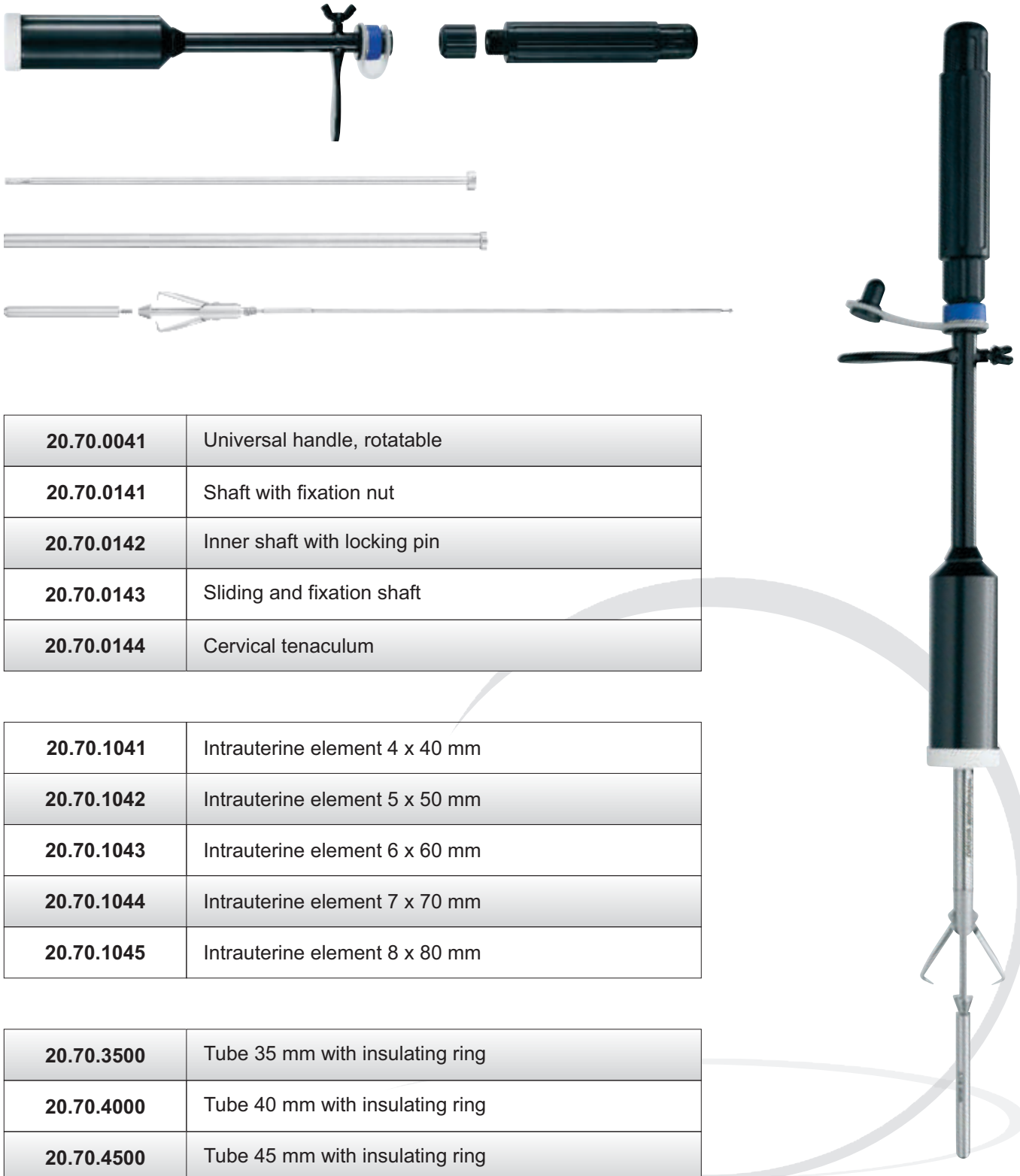
The vaginal delineating tube is slipped over the instrument shaft in a forward direction and thus allows the separation of the vagina whilst offering protection to the bladder, ureter and rectum. The electrosurgical resection can be easily and safely accomplished around the ceramic ring. The ceramic ring does not deteriorate when electrosurgical energy is applied and thus can be reused many times.

The vaginal delineating tube is available in 3 different sizes to fit the specific anatomical conditions. The assembled instrument is comparatively light in weight and well balanced – this reduces fatigue during use.

With the tenaculum forceps tightly fixed to the cervix, the uterus can now easily be moved for presentation and preparation purposes.

The complete instrument set consists of several components which can be easily dismantled, cleaned, sterilised and reassembled. The high-grade materials are very durable and sterilisation is trouble-free.

Uterus Manipulator



20.70.0041	Universal handle, rotatable
20.70.0141	Shaft with fixation nut
20.70.0142	Inner shaft with locking pin
20.70.0143	Sliding and fixation shaft
20.70.0144	Cervical tenaculum

20.70.1041	Intrauterine element 4 x 40 mm
20.70.1042	Intrauterine element 5 x 50 mm
20.70.1043	Intrauterine element 6 x 60 mm
20.70.1044	Intrauterine element 7 x 70 mm
20.70.1045	Intrauterine element 8 x 80 mm

20.70.3500	Tube 35 mm with insulating ring
20.70.4000	Tube 40 mm with insulating ring
20.70.4500	Tube 45 mm with insulating ring

A complete set consists of 1 of each of the above items.

Myoma Drill & Uterin Probe



20.71.0533	Myoma Drill, Ø 5 mm, WL 33 cm
-------------------	-------------------------------

20.71.1033	Myoma Drill, Ø 10 mm, WL 33 cm
-------------------	--------------------------------



20.72.0020	COHEN Intra Uterin Probe with 1 small cone and 1 large cone
-------------------	---



20.73.0050	Tube dialator Ø 5 mm, WL 34 cm
-------------------	--------------------------------

Suction & Irrigation Handles, Electrodes



20.45.2002

Pistol handle with 2 way valve for adaptable HF Electrodes with Suction & Irrigation channel, rotating adaptor with lateral HF Connector and 2 universal hose connectors

Adaptable monopolar HF-Electrodes

with Suction & Irrigation channel, Ø 5 mm, WL 340 mm, for Handle **20.45.2002**



20.50.1001

Hook electrode thick



20.50.1002

Right angle electrode



20.50.1003

Spatula electrode



20.50.1004

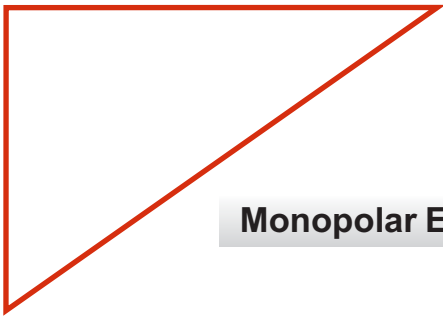
Ballpoint electrode



20.50.1007

Needle electrode





Monopolar Electrodes



HF-Electrodes, monopolar, with HF connector and Straight suction / flush port, Ø 5 mm

WL 33 cm	WL 45 cm	
----------	----------	--

20.50.3001	20.50.3101	Hook electrode
-------------------	-------------------	----------------



20.50.3002	20.50.3102	Right angle electrode
-------------------	-------------------	-----------------------



20.50.3003	20.50.3103	Spatula electrode
-------------------	-------------------	-------------------



20.50.3004	20.50.3104	Ballpoint electrode
-------------------	-------------------	---------------------



20.50.3007	20.50.3107	Needle electrode
-------------------	-------------------	------------------



Monopolar Electrodes



20.50.4101	Spatula electrode, Ø 5 mm, WL 33 cm
-------------------	-------------------------------------



20.50.4102	Ballpoint electrode, Ø 5 mm, WL 33 cm
-------------------	---------------------------------------



20.50.4103	Hook electrode "J", Ø 5 mm, WL 33 cm
-------------------	--------------------------------------



20.50.4104	Hook electrode "L", Ø 5 mm, WL 33 cm
-------------------	--------------------------------------



20.50.4105	Needle electrode, Ø 5 mm, WL 33 cm
-------------------	------------------------------------



20.50.4100	Comfort handle for electrodes
-------------------	-------------------------------



Monopolar Electrodes

With trumpet valve handle (Not detachable)



20.50.5001 Spatula electrode monopolar Ø 5 mm, WL 33 cm



20.50.5002 suction irrigation tube Ø 5 mm, WL 33 cm



20.50.5003 J Hook electrode monopolar Ø 5 mm, WL 33 cm



20.50.5004 L hook electrode monopolar Ø 5 mm, WL 33 cm



20.50.5005 Aspiration needle suction tube Ø 5 mm, WL 33 cm



Monopolar Ceramic Electrodes



20.50.2001 Spatula electrode, monopolar Ø 5 mm, WL 33 cm



20.50.2003 Hook electrode "J", monopolar Ø 5 mm, WL 33 cm



20.50.2004 Hook electrode "L", monopolar Ø 5 mm, WL 33 cm

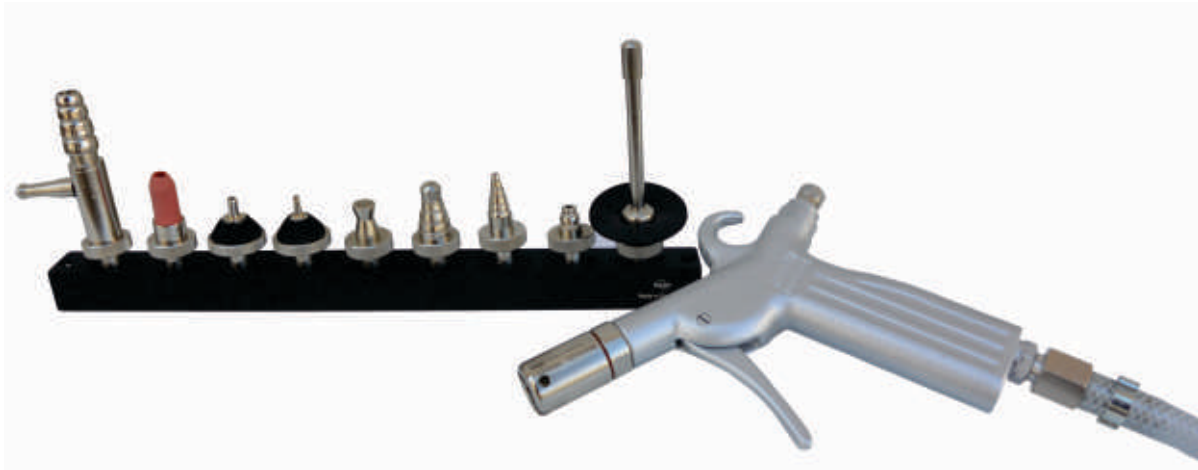


High Frequency Cable, monopolar



20.55.0003	High frequency cable, monopolar, male / male, 3 m length
20.55.0005	High frequency cable, monopolar, male / male, 5 m length
20.55.1003	High frequency cable, monopolar, male / female, 3 m length
20.55.1005	High frequency cable, monopolar, male / female, 5 m length
20.55.2003	High frequency cable, monopolar, female / female, 3 m length
20.55.3003	High frequency cable, monopolar, female / male = "Big Jack" (Valleylab), 3 m length

Cleaning Instruments



20.45.4545

Cleaning pistol complete with 8 adaptors

Bipolar Coagulation Forceps U type

Ø 5 mm, WL 34 cm and 45 cm



Bipolar U type forceps 34 cm

20.60.4010	Bipolar coagulation forceps fluted bit round plug at end
20.60.4011	Bipolar coagulation forceps rippled bar with round plug at end
20.60.4012	Bipolar tubal coagulation forceps with tongue type bit with round plug at end
20.60.5010	Bipolar coagulation forceps fluted bit flat plug at end
20.60.5011	Bipolar coagulation forceps rippled bar with flat plug at end
20.60.5013	Bipolar tubal coagulation forceps with tongue type bit with flat plug at end



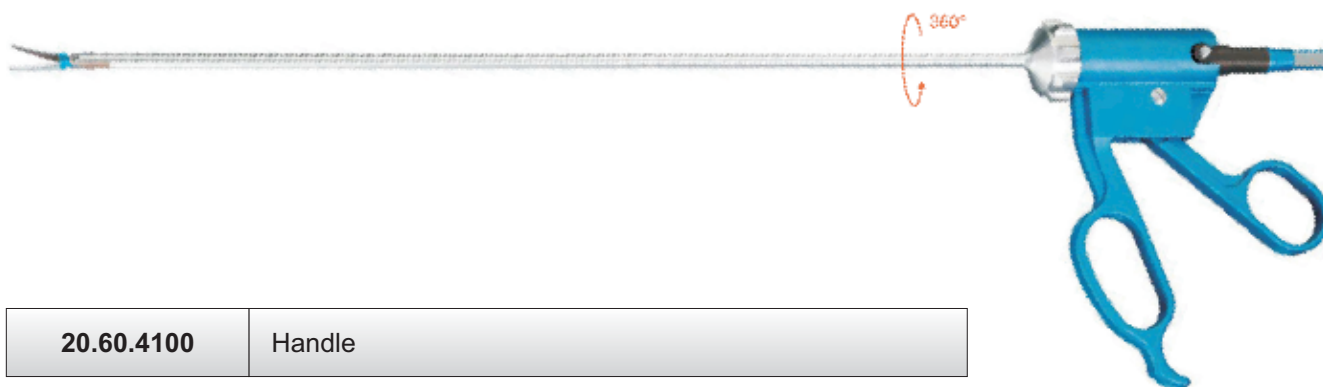
Bipolar U type forceps 45 cm

20.60.4013	Bipolar forceps fluted bit round plug at end
20.60.4014	Bipolar coagulation forceps rippled bar with round plug at end
20.60.4015	Bipolar tubal coagulation forceps with tongue type bit with round plug at end
20.60.5014	Bipolar coagulation forceps fluted bit flat plug at end
20.60.5015	Bipolar coagulation forceps rippled bar with flat plug at end
20.60.5016	Bipolar tubal coagulation forceps with tongue type bit with flat plug at end



Bipolar Coagulation Forceps - Powergrip

Detachable & Rotatable Ø 5 mm



20.60.4100	Handle
20.60.4101	Sheath 34 cm

This unique Bipolar instrument is used for grasping, cutting and coagulation and offers important further advantages -

- Exchangeable electrode inserts for different applications.
- Easy handling.
- Excellent cleaning and ease of repair.

Quick exchange of electrode inserts -

The different inserts can be exchanged in only a few seconds. The electrode is screwed into the sheath inserted in the handle and locked in place by means of a click-stop. At the same time the connection to the integrated electric connector is established.

Hygiene and economic efficiency -

The power grip instrument can be dismantled in three parts. This enables thorough and reliable cleaning and facilitates the execution of repair work or the replacement of defective parts.

Bipolar Inserts

For coagulation forceps - Powergrip

20.60.4110

Large grasping insert 34 cm



20.60.4111

Bipolar insert delicate curved 34 cm



20.60.4112

Bipolar grasper micro france 34 cm



20.60.4113

Bipolar grasping insert curved 34 cm



20.60.4114

Scissor insert, curved



20.60.4115

Maryland dissector, curved



20.60.4116

Claw insert



Orbitaris Bipolar Forceps



- **ORBITARIS bipolar forceps with rotating handle.**
This new innovative design provides the surgeon with comfortable ergonomic handling in all working positions. The handles rotate independently of the shaft, so the instrument can be controlled in a relaxed natural way, reducing fatigue and enabling precise handling and control during surgery.
- **Simple one handed operation**
The extended flanks on the electrode shaft, give the surgeon enhanced single finger control over the full 360° rotation available, resulting in precise control of the electrodes position. The shaft and the electrode are inserted and locked into the handle with a click stop as in the well proven POWERGRIP bipolar forceps. The electrode inserts of the POWERGRIP are fully compatible with the ORBITARIS handle resulting in a wide range of proven electrodes being available for use. This also gives POWERGRIP customers wishing to upgrade to the enhanced ergonomic handling of ORBITARIS an economic route.
- **Convenient locking device**
The ORBITARIS can be supplied with an ergonomically positioned locking device that can be operated by both right and left handed users enables the surgeon to lock the rotating handle in the chosen position. Just as easily, the locking device can be disengaged in order to move the rotating handle to a new position.
- **Rotating handle**
The handle can be rotated through 360°, so the surgeons ideal ergonomic handling position can be achieved. The surgeon and patient requirement for function and safety has been greatly enhanced, over standard handles, to include surgeon comfort during the demands of minimally invasive surgery.

20.60.0000	Orbitaris Handle
20.60.0004	Orbitaris Handle with locking device
20.60.0034	Orbitaris sheath 34 cm

Bipolar Inserts

For Orbitaris Bipolar Forceps



New inserts "P-Coat"







For these inserts a new type of insulation coating is used "P-Coat". This ultra-thin coating enables the insulation of the joints and the external surfaces of the jaws without any negative impact on their mechanical rigidity. This allows the surgeon to work very safely by ensuring that coagulation current is only applied to the chosen tissue and not the surrounding area. All P-Coat inserts are fully compatible with both the Orbitaris and the Powergrip bipolar instruments.

Orbitaris & Powergrip Bipolar P-Coat inserts

20.60.8010	Large Grasping insert 34 cm with P-Coat insulation	
20.60.8011	Grasping insert 34 cm fenestrated, curved with P-Coat insulation	
20.60.8012	Scissor insert curved 34 cm with P-Coat insulation	
20.60.8013	Dissector Maryland insert curved 34 cm with P-Coat insulation	

Bipolar Cables

3 m length

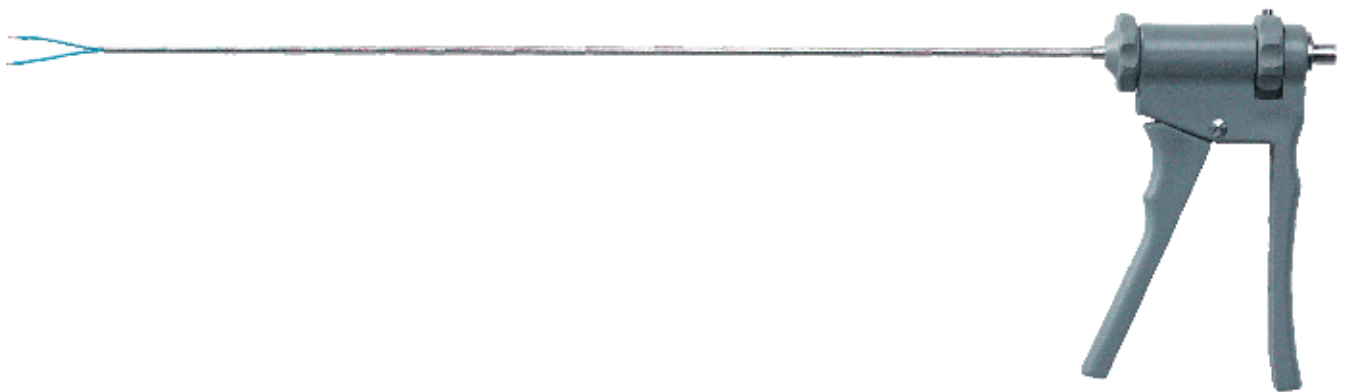
	Bipolar-Units	Instruments
20.67.2003	 Erbe/Wisap/Storz	 flat plug
20.67.2103	 GIMMI / Martin / Berchtold	 flat plug
20.67.2203	 Valleylab	 flat plug

SLIMLINE Bipolar

Micro Coagulation Forceps

Reusable instruments for use in laparoscopy with a shaft Ø of 3 mm, intended to be used for fine coagulation on of tissue and small vessels using bipolar current.

The SLIMLINE Micro Coagulation Forceps can be easily detached for cleaning. The inserts can be exchanged for different applications.



SLIMLINE Bipolar Micro Coagulation Forceps

20.60.3000	3 mm, consisting of forceps body, tube, tube guide, WL 34 cm, without insert with standard handle
-------------------	---

20.60.3001	3 mm, consisting of forceps body, tube, tube guide, WL 34 cm, without insert with ring handle
-------------------	---

20.60.3010	Insert Rippled Bar, Jaw 3.0 mm
-------------------	--------------------------------



20.60.3011	Insert Fluted Bit, Jaw 1.5 mm
-------------------	-------------------------------



Bipolar Cables

For SLIMLINE Bipolar Micro Coagulation Forceps



20.67.3050

Cable for slimline forceps, generator side 2 banana plug, length 3 m

20.67.3055

Cable for slimline forceps, generator side Valleylab, length 3 m



20.67.3060

Cable for slimline forceps, generator side Martin, length 3 m



20.67.3065

Cable for slimline forceps, generator side Erbe, length 3 m



Bipolar Coagulation Electrodes

Ø 5 mm, 34 cm long



Bipolar Coagulation Electrodes for connection to the bipolar output of electro-surgical generators with dedicated parameters for bipolar coagulation. The Bipolar Coagulation Electrodes for Endoscopy provide the ability to dissect and coagulate tissue. The program includes instruments for coagulation of larger areas as well as of small selective areas. Due to the special design of the electrodes, they are able to withstand big mechanical stress for safe handling with consistently good coagulation results.

- A slightly conical shaft end makes insertion into the trocar sleeve easier.
- Use of bipolar technology and the optimized configuration of the electrical poles, guarantees safe and gentle work with an exactly defined area of coagulation.
- Constantly good coagulation results are achieved due to the insulation between the electrodes, always the same distance. Moreover, the electrodes are easier and more reliable to clean.
- The ergonomically designed handle allows secure holding and easy rotation during work. The standard bipolar connector plug will fit conventional bipolar cables that are readily available.

20.60.5031

Bipolar electrode, Ø 5 mm, 34 cm long, J hook

20.60.5032

Bipolar electrode, Ø 5 mm, 34 cm long, L hook

20.60.5033

Bipolar electrode, Ø 5 mm, 34 cm long, spatula

20.60.5034

Bipolar electrode, Ø 5 mm, 34 cm long, dome

20.60.5035

Bipolar electrode, Ø 5 mm, 34 cm long, plate



SLIMLINE Bipolar Hooks and Needle

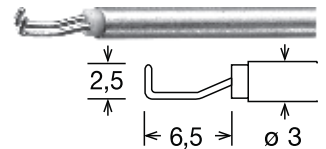
Ø 3 mm, WL 34 cm



Different bipolar hook-electrodes and a delicate needle electrodes provide the ability of both, a standard coagulation and a stitch coagulation. Connection with a standard bipolar forceps cable is with flat plug.

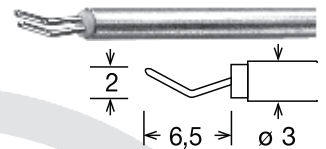
20.60.3020

SLIMLINE Bipolar electrode, L hook



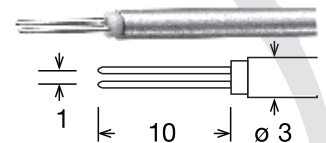
20.60.3030

SLIMLINE Bipolar electrode, V hook



20.60.3040

SLIMLINE Bipolar electrode, Needle electrode



Bariatric Laparoscopy

Maxer offers following instruments for Bariatric Laparoscopy

- Laparoscopes 10 mm & 5.5 mm in longer length
- Trocars with longer tubes in 6 mm & 11 mm size
- Scissors, Graspers & Dissectors in length of 450 mm. Please add "B" to the article number while sending requests.
- The Graspers can also be supplied with metal shaft for higher bending resistance. Please add "M" to the article number while sending requests.
- Other instruments such as Veress Needles, Needle Holders Suction Irrigation Tubes, Hook Electrodes, Clip Applicators can be produced in longer working length.
- Flexible Liver Retractor along with stand to avoid damage to Liver and fatigue to Surgeon.

Single Incision Laparoscopic Surgery (SILS)

Maxer offers 5.5 mm laparoscope in 424 mm length for single port Laparoscopy. The extra length causes the camera head to shift away from instrument handles and allows more space for the operating surgeon to ease up maneuvering.





UNITS

LAPAROSCOPY

UROLOGY

HYSTEROSCOPY

ARTHROSCOPY

ENT

PEDIATRIC

SPINE ENDOSCOPY

Distributed by:

Maxer Medizintechnik GmbH

Untere Hauptstr. 34/1

78573 Wurmlingen

Germany

Registered Office: Vogesenstr.17

78549 Spaichingen

Germany

Email: info@maxerendoscopy.com

Website: www.maxerendoscopy.com